



TDS90032

Flush mounting for AURUS 9x9cm

Mount the AURUS-1, AURUS-2, AURUS-2 SENSE, AURUS-4S or AURUS-4 TEMP flat into your walls. This Flush Plaster Box can be used to give a beautiful finish to the AURUS panels. It is aesthetic (the touch panel is nicely integrated in the wall) and it gives an extra protection against theft in public areas. For plaster board (hollow wall) mounting an extra TDS90031 Alu-frame is needed (plaster box + alu Frame).

An instruction Video is available on YouTube (“TDS90030 flush mounting video”) showing the installation of the Flush Plaster Box (all phases included). Thanks to the supplied suction pad, the touch panels/screens are removable. Of course, NEVER use a screw driver to remove a touch panel!

APPLICATION

Flush mounting for AURUS-1, AURUS-2, AURUS-2 SENSE, AURUS-4S or AURUS-4 TEMP.
Theft protection.

! Rem.: Normal operation of the temperature sensor will be disturbed with flush mounting.

INSTALLATION

AURUS-1, AURUS-2, AURUS-2 SENSE, AURUS-4S or AURUS-4 TEMP

Use Flush mounting box TDS90032 for flat mounting. For hollow walls this has to be combined with TDS90031.

Dimensions to be foreseen in the wall (W x H x D):

Solid wall: 194 x 244 x 40(*)mm

Hollow wall: 160 x 210 x 42(*)mm

* Foresee enough depth to allow the AUTOBUS cables coming from the back.

DIMENSIONS

150 W x 200 H x 40 D (mm)

NET | GROSS WEIGHT

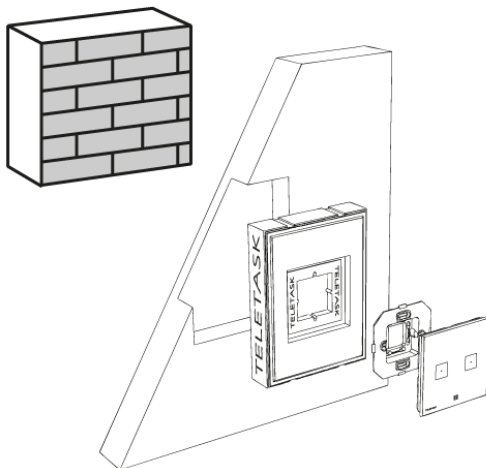
0,800 kg | 0,950 kg

PACKAGING CONTENT

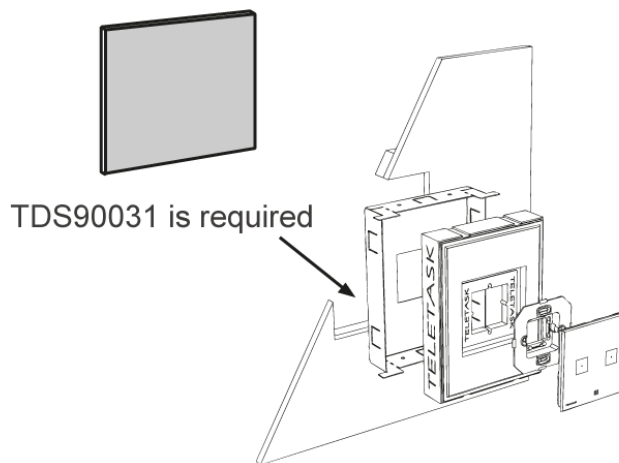
TDS90032 Plaster block
Suction cup for AURUS removal

SCHEMATIC DRAWING

INSTALLATION IN A SOLID WALL



INSTALLATION IN A HOLLOW WALL



TDS90032