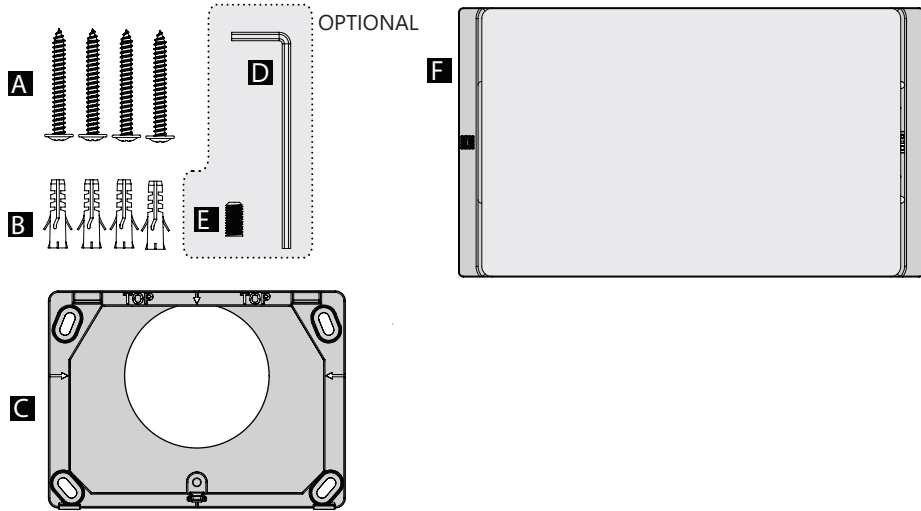
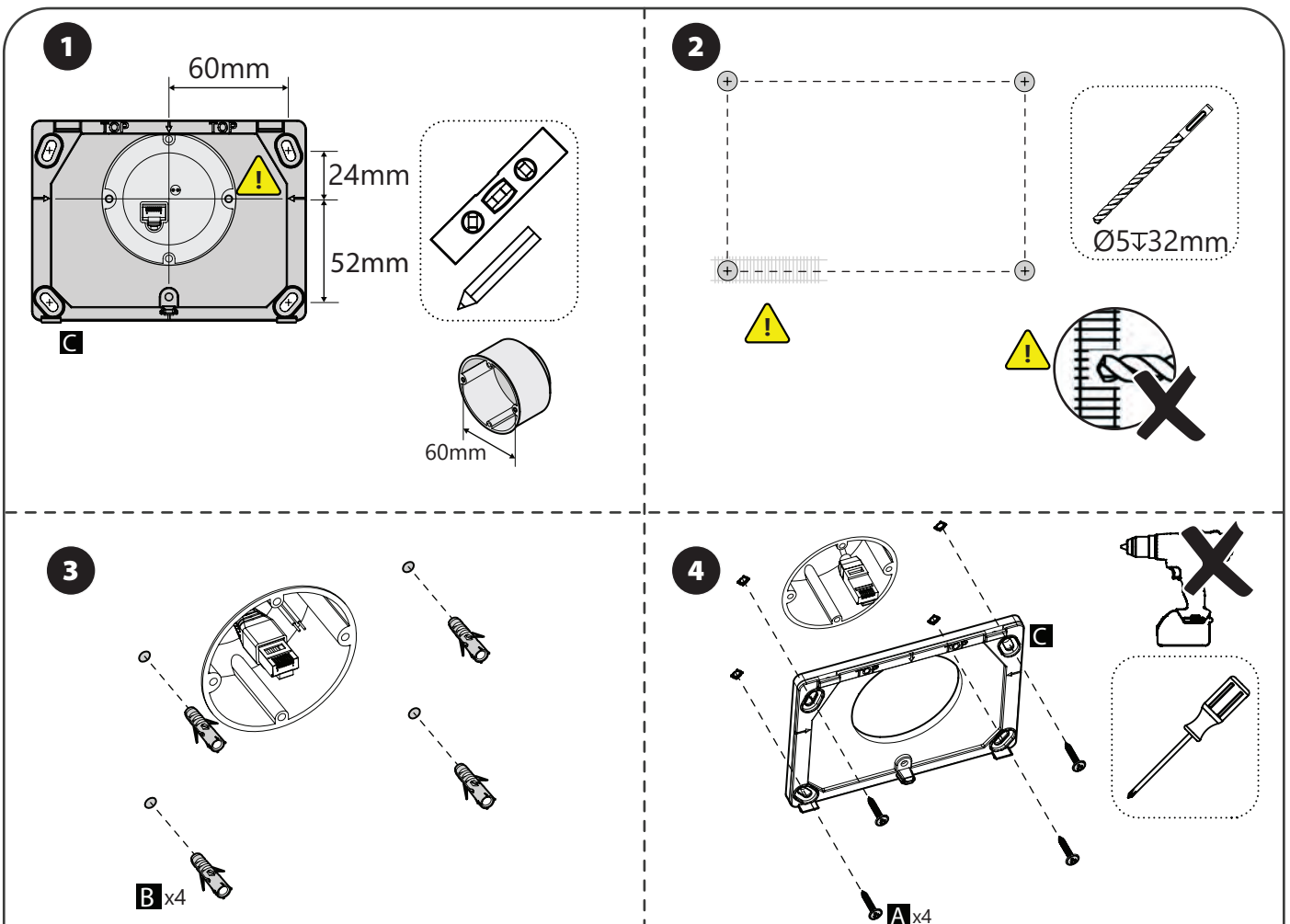


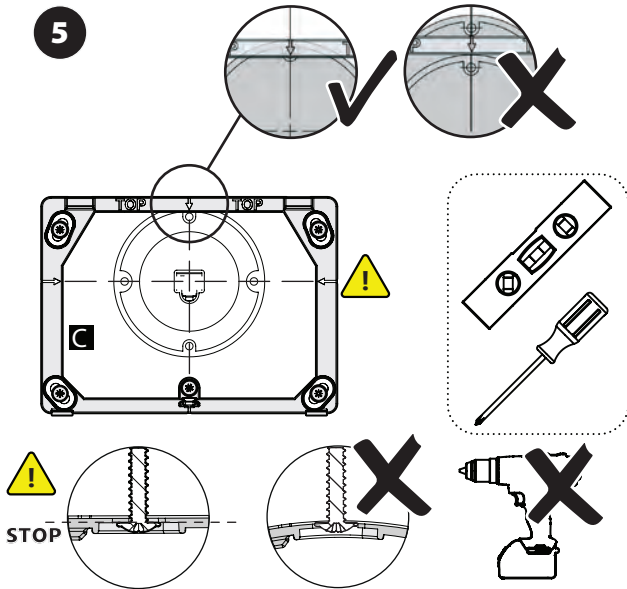
CONTENT



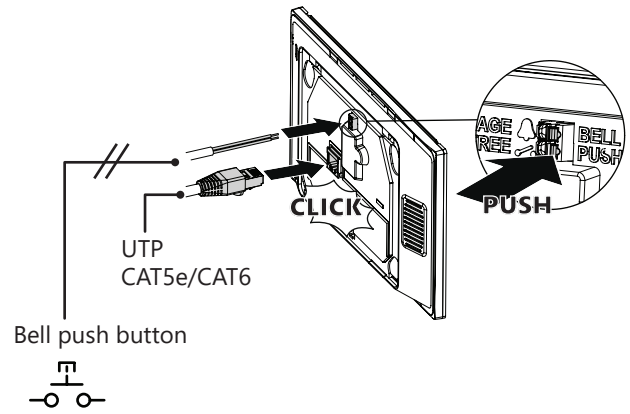
INSTALLATION



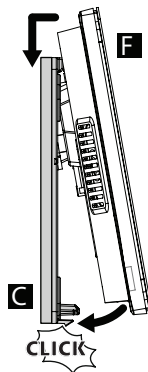
5



6

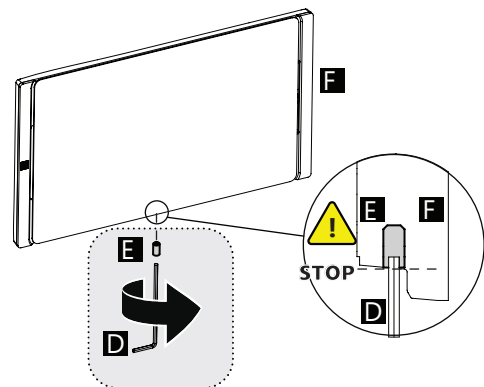


7



8

OPTIONAL STEP



ANTI-THEFT LOCKING (OPTIONAL)

**TEST AND CLEAN THE OPUS
AFTER INSTALLATION**