

**TDS10012**

**MICROS+ central unit (OEL)**



Central unit equipped with two AUTOBUS connections. Configuration via USB and Ethernet connection. The Ethernet connection can be connected to a LAN network. 8 dimmer outputs 0-10V are default available in the unit.

A maximum number of 2 x 31 interfaces can be connected on the two default AUTOBUS connections. Via the AUTOBUS extension interface the MICROS+ can be extended to 4 AUTOBUS connections, supporting up to 4 x 31 = 124 connected AUTOBUS interfaces in total.

Up to 10 MICROS+ central units on LAN can behave as one large integrated system with up to 1240 interfaces. See technical handbook for remarks.

Download the latest version of PROSOFT Suite on [www.teletask.be](http://www.teletask.be)

**APPLICATION**

Home Automation solutions with a maximum capacity of 1500 sensors and actors (inputs and outputs).

**CHARACTERISTICS**

**Outputs\***

Equipped with 24 internal plug-in relays:

$I_N$  = Pluggable internal relay 10A/250VAC (80Amp inrush - 20ms)

$I_{HI}$  = 80Amp (20ms)

Equipped with 8 internal dimmer control outputs 0-10V

Maximum capacity: 500 outputs (the total number of relays

outputs + dimmer outputs + motor outputs together is 500)

Output impedance (0-10V): 500Ω

**Inputs\***

Equipped with:

- 32 inputs for voltage free contacts (cable length: max. 50m, min. 0,22 mm<sup>2</sup>, max. 1kΩ)
- 2 analog TDS sensor inputs (temperature, light and humidity)
- 2 AUTOBUS connections (extendable to 4 using the optional TDS10202 AUTOBUS extension interface)
- USB connection
- Ethernet connection

Each AUTOBUS has a capacity of up to 31 interfaces (one physical interface may occupy more than one address).

AUTOBUS length: max.1000m (about 150m without optional power supply, depending on the used interfaces).

**System Limits\***

- 500 Local Moods
- 50 General Moods
- 500 Rooms
- 50 Timed Local Moods
- 500 Sensor Zones
- 50 Audio Zones.
- 250 Transparent Functions
- 250 Timed or Motion Detector Functions
- 250 Fan Functions
- 250 Process Functions
- 500 Clock Actions
- 500 Flags
- 500 If-Then-Else Functions
- 500 Messages and/or Alarms
- 500 Conditions
- 500 Chip Cards and/or Proximity Tags

**Timer Limits\***

- Fan Function: max. 7200 sec.
- Timed Function: max. 7200 sec.
- Motor Function: max. 7200 sec.
- Timed Local Mood: max. 7200 sec. per step
- Motion Detector: max. 7200 sec.

**Power Supply**

Input: 90 - 264 VAC 50Hz/60Hz.

Mains current (230VAC): 0,07A (17W) – 0,38A (90W)

Output:12V 3.5A

**SETTINGS**

**Programming**

With PROSOFT Suite 3.1 or higher

**AUTOBUS terminating resistor**

Integrated on the unit

**Restart**

Restarts the central unit

**SW1**

Sends IP address of the central unit to the PC (over Ethernet).

**SW2**

Push in SW2 for 10 second. Herewith the Ethernet settings of the DOIP central unit are brought back to DHCP (or 192.168.0.200).

Also sends IP address of the central unit to the PC (over Ethernet).

**Reset to factory settings**

'SW1'+ 'SW2' long (10s): restart central unit to factory settings

**INSTALLATION**

**Wall mounting**

To be mounted on a flat surface. Eye level is recommended

! Separated cable trunks for the inputs and the outputs:

- Inputs (very low voltage): through the rectangular opening in the lower-left corner.
- Outputs (low voltage): through the round break-out holes in the bottom and back plate.

**CONNECTIONS**

**Direct Contact Inputs**

Plug-in screw terminal

Wires max. 1,5mm<sup>2</sup> (advised wires 0,5- 0,8mm<sup>2</sup>)

**Direct Analogue Inputs**

Plug-in screw terminal

**AUTOBUS**

Plug-in screw terminal

**Relays Outputs**

Plug-in screw terminal

**AUTOBUS extension interface**

Using the special connection to an external TDS10202 AUTOBUS extension interface (optional).

**USB**

USB B connection for direct communication with the PC

**Ethernet**

Connection to the LAN network using a RJ45/CAT5 patch cable

**Power Supply**

By power cord (supplied with the central unit)

**Earth connection**

Always connect the main earth connection to the earth connection of your electrical installation. Use the internal screw in the MICROS+ housing at the lower-right corner.

**POWER CONSUMPTION**

**Internal**

0,3A – 1,3A

**AUTOBUS**

MICRO+ has an internal power supply with spare power, so some limited current can be supplied to the AUTOBUS.

! Important remark: TELETASK recommends not to exceed 70% of maximum load, being 1500 mA maximum external consumption. If more is needed, extra external power supplies TDS10132 and/or TDS10134 can be added (see specific connection of additional external power supplies).

**DIMENSIONS**

450 W x 365 H x 80 D (mm)

**NET | GROSS WEIGHT**

4,9 kg | 6,0 kg

**PACKAGING CONTENT**

TDS10012 Central unit

MICROS+ key

**STORAGE**

**Temperature**

-20°C to +65°C

**Relative humidity**

15% to 85%

**IP PROTECTION RATE**

IP20

**OPERATING RANGE**

**Temperature**

0°C to +50°C max.

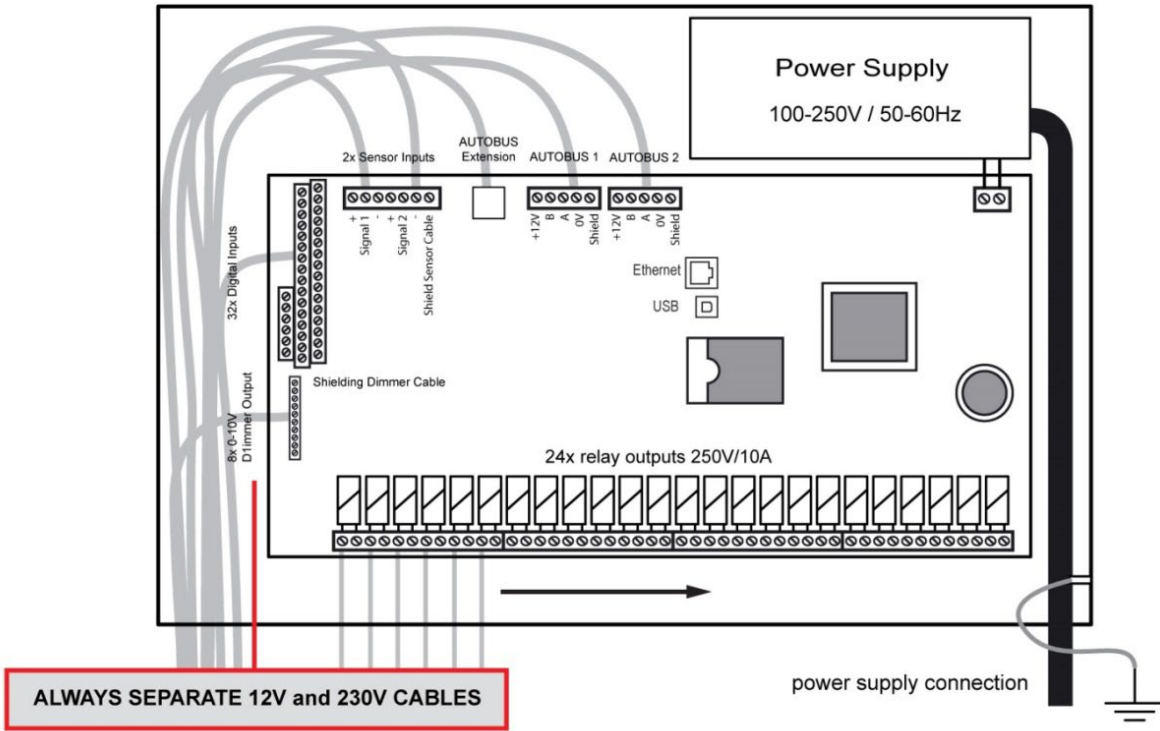
**Relative humidity**

5% to 80% at 25°C (non-condensing ambient)

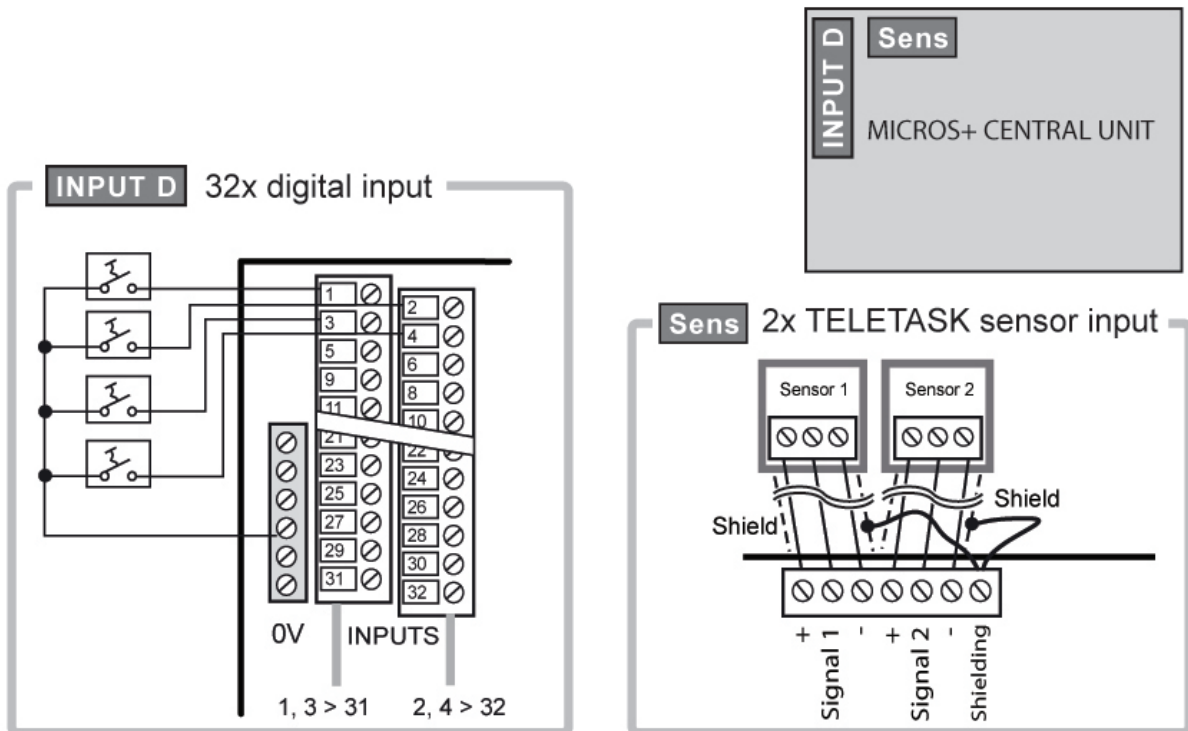
**SCHEMATIC DRAWING**

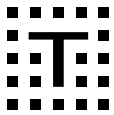
Overview

TDS 10012

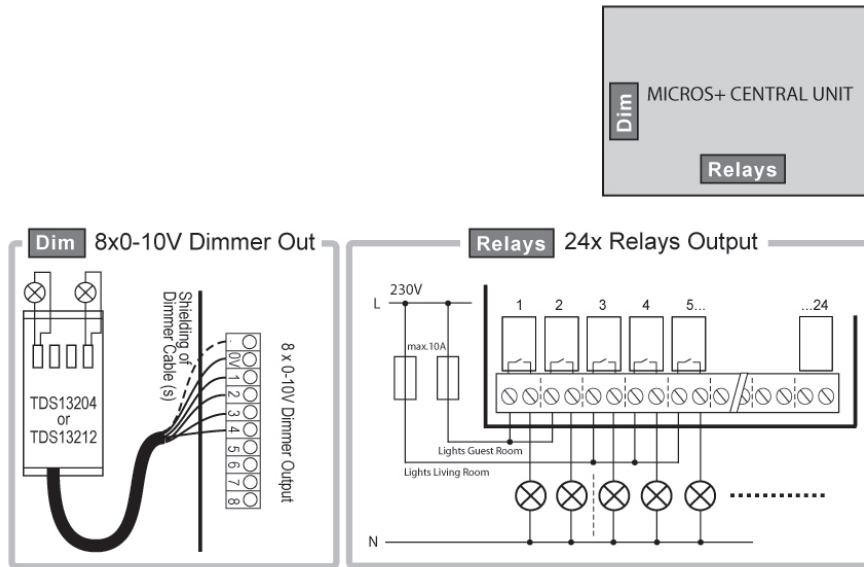


**TDS10012 INPUT CONNECTIONS**

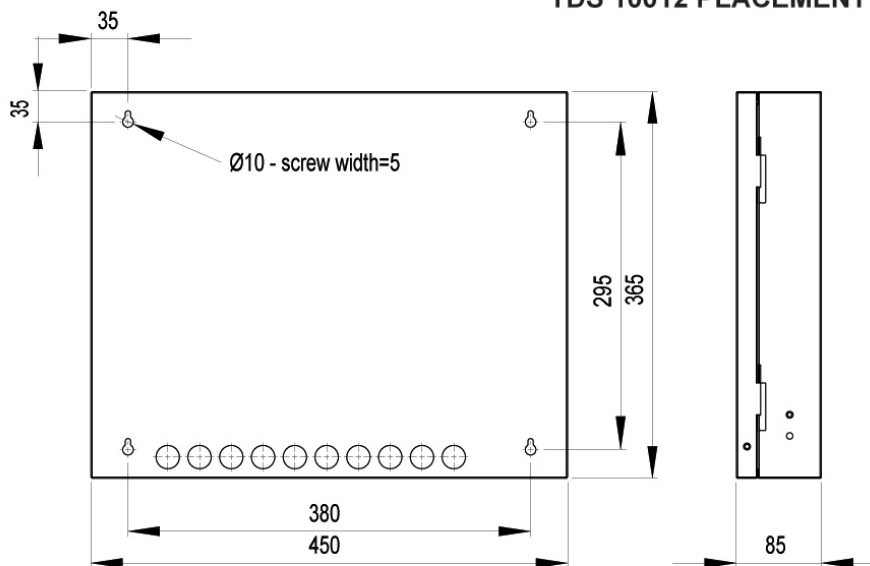




**TDS 10012 Output Connections**



**TDS 10012 PLACEMENT**



**ATTENTION:**

- Provide a minimum of 10mm above the cabinet for the sliding system.
- Provide a minimum of 20mm on the right side of the cabinet for opening the door.
- Provide enough space below the cabinet for cabling.

