

**TDS10009 (and optional TDS15009) PICOS DoIP central unit [EOL]**



PICOS is a DIN-rail central unit for entry-level, full featured, integration applications. Independent if they are directly connected or via AUTOBUS, PICOS integrates all connected items to behave as one smart system.

Typical applications are smart apartments, homes, hotel rooms... In large projects, PICOS can be the default solution provided by the project developer, but if desired by the buyer, he can always extend the system in a modular way.

The unit has AUTOBUS and Ethernet connection, 20 inputs for voltage free contacts, 2 analog TDS sensor inputs, 16 relay contact outputs 10A/265V and 4 power dimmer control outputs (0-10V). Power supply (12V) is external (TDS10132/TDS10134).

A limited number of input/output interfaces can be connected on AUTOBUS (see below).

**APPLICATION**

Central unit for low entry DoIP integrated solutions. Can be integrated with other DoIP central units (up to 10).

**CHARACTERISTICS**

**Inputs**

- 20 x digital input for voltage free contacts (cable length: max. 50m, min. 0,22 mm<sup>2</sup>, max. 1kΩ)
- 2 x analog TDS sensor input (temperature, light or humidity)

**Outputs**

- 16 x pluggable internal relay 10A/265VAC (80Amp inrush - 20ms)
- 4 x dimmer control output 0-10V (output impedance 500Ω)

**General connections**

- 1x RJ45 Ethernet connection
- 1x 12V Power supply (from TDS10132 or TDS10134)
- 1x AUTOBUS connection (none extendable). Max.1000m (optional power supply may apply).

**Maximum capacity\***

OUTPUTS on basic PICOS TDS10009: max. total 44

Type	PICOS	Extension on AUTOBUS**	Total
Relays	16	8 (1x TDS13510 or TDS13512 or TDS13611)	24
Dimmers	4	8 (1x TDS13611 or TDS13610 or TDS13621***)	12
Motors	0****	8 (2x TDS13525 or TDS13526)	8

OUTPUTS with PICOS+ license TDS15009: max. total 68

Type	PICOS	Extension on AUTOBUS**	Total
Relays	16	24 (3 x TDS13510 or TDS13512 or TDS13611)	40
Dimmers	4	12 (e.g. 3 x power dimmer TDS13634 or TDS13644 or TDS13611 +1 x power dimmer or 12 x DALI addresses)	16
Motors	0****	12 (3x TDS13525 or TDS13526)	12

INPUTS:

Type	PICOS	Extension on AUTOBUS**	Total
Digital inputs	20	480 (31x TDS12117, ...)	500
TELETASK sensor inputs	2	48 (31x TDS12311, TDS12310, ...)	50
Touch panels	0	31x (TDS12020, TDS12021, ...)	31

! \* A PICOS installation can be extended with 9 additional DoIP central units (up to 4540 outputs).

! \*\* The AUTOBUS has a capacity of up to 31 interfaces (one physical interface may occupy more than one address).

! \*\*\* The TDS13621 interface is limited to 8 DALI or 8 DMX output channels on the PICOS.

! \*\*\*\* The internal relay outputs of the PICOS can also be used as motor controls (curtains, shades, ...) (2 relays to be used per motor).

E.g.: 1x TDS13510 + 1x TDS13526 + 1x TDS13611 + 3x TDS12117 + 25 AURUS touch panels = 31 interfaces

**Software defined Limits**

(same as MICROS+ and NANOS)

- 500 Local Moods
- 50 General Moods
- 500 Rooms
- 50 Timed Local Moods
- 500 Sensor Zones
- 50 Audio Zones (depends on the connected audio system, see datasheet of TDS15240).
- 250 Transparent Functions
- 250 Timed or Motion Detector Functions
- 250 Fan Functions
- 250 Process Functions
- 500 Clock Actions
- 500 Flags
- 500 If-Then-Else Functions
- 5000 Messages and/or Alarms
- 500 Conditions
- 500 Chip Cards and/or Proximity Tags
- Fan Function: max. 7200 sec.
- Timed Function: max. 7200 sec.
- Motor Function: max. 7200 sec.
- Timed Local Mood: max. 7200 sec. per step
- Motion Detector: max. 7200 sec.

**SETTINGS**

**Programming**

With PROSOFT Suite 3.5 or higher

**AUTOBUS terminating resistor**

Integrated on the unit

**SW1**

Sends IP address of the central unit to the PC (over Ethernet).

**SW2**

Push in SW2 for 10 second. Herewith the Ethernet settings of the DOIP central unit are brought back to DHCP (or 192.168.0.200).

Also sends IP address of the central unit to the PC (over Ethernet)

**Reset to factory settings**

'SW1'+ 'SW2' long (10s): restart central unit to factory settings

**INSTALLATION**

**DIN-rail mounting**

13 modules wide.

**wall mounting**

3 screws Ø 4,5; not included)

**Important installation remarks**

- ! The PICOS must be placed inside an electrical cabinet to avoid the risk of an electrical shock.
- ! Follow the safety standards from the local authorities to be compliant with all regulations.

**CONNECTIONS**

**Inputs**

Contact inputs: plug-in screw terminal 2,5mm<sup>2</sup> (AWG 14)  
Analog sensor inputs: plug-in screw terminal 2,5mm<sup>2</sup> (AWG 14)

**Outputs**

Relay outputs: plug-in screw terminal 2,5mm<sup>2</sup> (AWG 14)  
Analog outputs (to power dimmers): plug-in screw terminal 2,5mm<sup>2</sup> (AWG 14)

**Common**

Common: plug-in screw terminal 2,5mm<sup>2</sup> (AWG 14)

**AUTOBUS**

AUTOBUS: plug-in screw terminal (4 wires)

**Ethernet**

Connection to LAN network: RJ45/CAT5 patch cable

**Power supply**

12V power supply input: plug-in screw terminal (2 wires).

! Use 1 to 2,5mm<sup>2</sup> wires up to max. 1 meter from power supply TDS10132/TDS10134.

**POWER CONSUMPTION**

(Max. 150 mA all relays OFF)  
Max. 550 mA all relays ON

**DIMENSIONS**

234 W x 119 H x 60 D (mm)

**NET | GROSS WEIGHT**

± 0,720 kg | ± 0,850 kg

**PACKAGING CONTENT**

TDS10009 central unit

**STORAGE**

**Temperature**

-20°C to +65°C

**Relative humidity**

15% to 85%

**IP PROTECTION RATE**

IP20

**OPERATING RANGE**

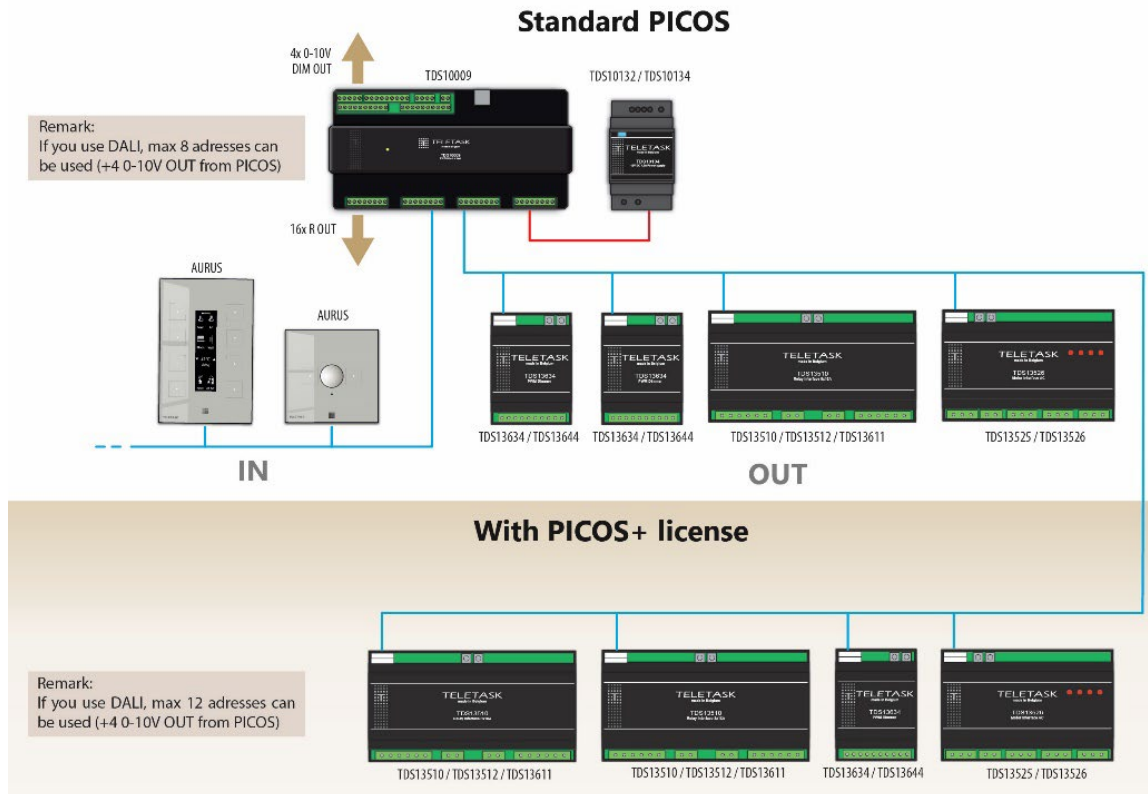
**Temperature**

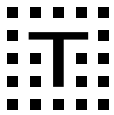
0°C to +50°C max.

**Relative humidity**

5% to 80% at 25°C (non-condensing ambient)

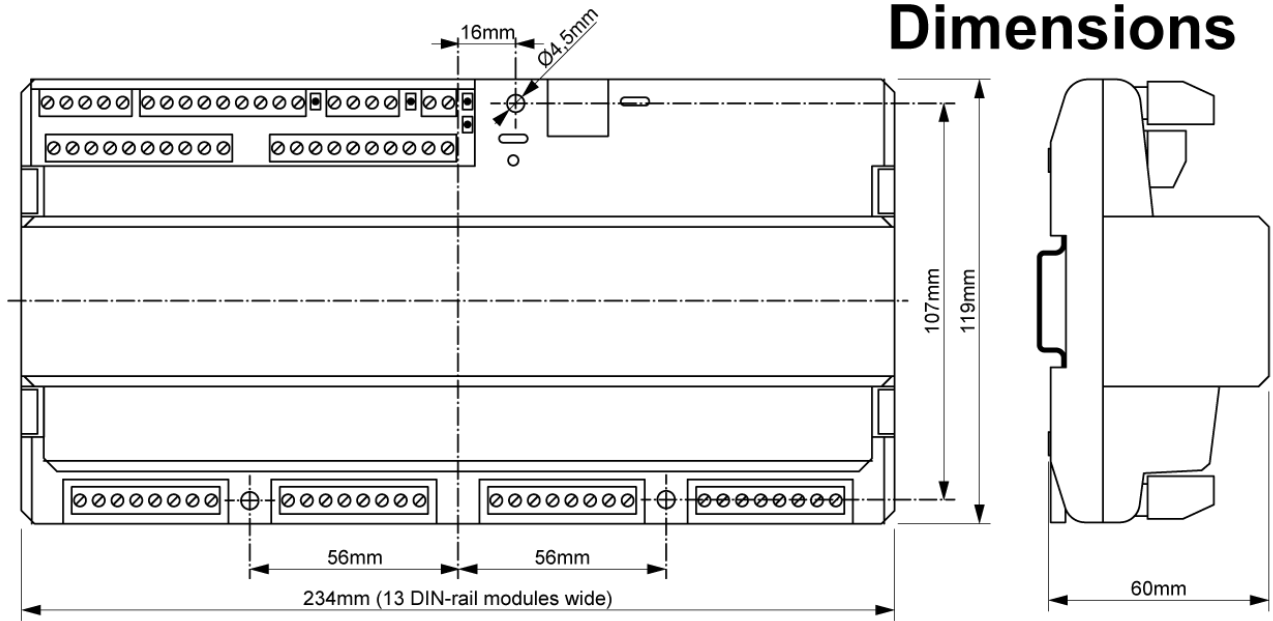
**POSSIBILITIES WITH PICOS+ LICENSE**



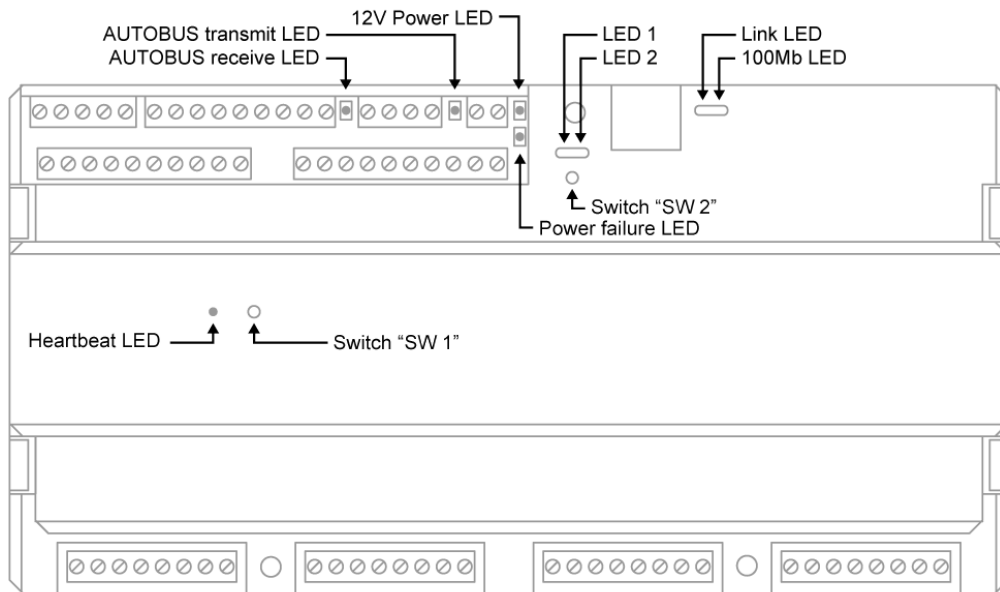


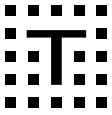
**SCHEMATIC DRAWING**

**Dimensions**



**Switches + LED's**





# Connections

