

Liège, 29st September, 2021.

TEST REPORT

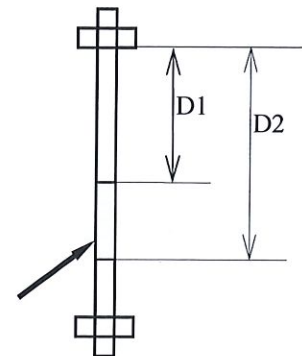
Nr 2191-1/2021

EN 60332-1-2 Nov. 2004 A11 Aug. 2016	TESTS ON ELECTRIC AND OPTICAL FIBRE CABLES UNDER FIRE CONDITIONS Part 1-2: Test for vertical flame propagation for a single insulated wire or cable - Procedure for 1 kW pre-mixed flame
--	---

1. Test applied by: Mr J Vander Beken for TELETASK BV, Ottergemsesteenweg Zuid 729, 9000 Gent, Belgium.
2. Type of cable (*: information given by the sponsor):
ISSEP nr: LF 794
*Reference: AUTOBUS 2+2
Cable marking: ** ### m.** TELETASK CE AUTOBUS 2+2
Diameter: ~ 6.5 mm.
Colour of the outer sheath: blue
Date of samples reception: 21st September 2021.
The product is defined as a control cable according to EN 50575.
3. Sampling: not carried out by the laboratory.
4. Procedure: see §. 5 of IEC 60332-1-2 standard.
5. Date of the test: 23rd September 2021.

6. Results:

Test nr : CVU 2926
Duration of flame application: 60 s
Time to ignition: 1 s
After flame duration: 2 s
Distance D1: 41 cm
Distance D2: 49.5 cm



7. Classification:

Cable described in 2 meets the requirements of annex A of EN 60332-1-2.



I. Dyakov,
Test Executive

Remarks : - This test report testifies only to the performances of the object actually tested, and does not presume of performance of similar object;
- This report can only be reproduced in full, except with the laboratory's agreement.

**Reaction to fire classification
in accordance with EN 13501-6 : 2018**

A.1. Introduction :

This classification report defines the classification assigned to the cable with reference cable is AUTOBUS 2+2 in accordance with the procedures given in EN 13501-6 : 2018 standard.

Sponsor	TELETASK BV, Ottergemsesteenweg Zuid 729, 9000 Gent, Belgium.
Prepared by	ISSeP, rue du Chera, 200, 4000 Liège, Belgique
Notified Body N°	2659
Product name	AUTOBUS 2+2
Classification report N°	2191-2/2021
Issue N°	1
Issue date	29. 09. 2021

A.2. Details of classified product

A.2.1. General

The product cable AUTOBUS 2+2 is defined as a communication cable in accordance with EN 50575 standard.

A.2.2. Product description

Product description	Multiple conductor, communication cable
ISSeP N° (tested cables):	LF 794
Color:	blue
Diameters of tested cables:	6.5 mm
Sampling, not carried out by the ISSeP	-

A.3. Reports and results in support of this classification

A.3.1. Test reports

Name of laboratory	Name of test sponsor	Test reports N°	Test method
ISSEP	TELETASK BV	2191-1/2021	EN 60332-1-2

A.3.2. Results

Test method	Test N°	Parameter	N° test runs	Results	
				Continuous parameter-mean m / result	Compliance with parameters
EN 60332-1-2	CVU 2926	Flame spread H	1	85 mm	compliant



A.4. Classification and field of application

A.4.1. Reference of classification

This classification has been carried out in accordance with EN 13501-6 : 2018.

A.4.2. Classification

The product, cable AUTOBUS 2+2, communication cable, in relation to reaction to fire behaviour, is classified: **E_{ca}**

Reaction to fire classification

E_{ca}

A.4.3. Field of application

This classification is valid for the cable described in A 2.2.

A.5. Limitations

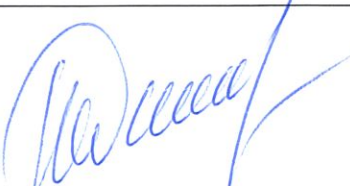

This classification document does not represent type approval or certification of the product.

The classification assigned to the product in this report is appropriate to a declaration of conformity by the manufacturer within the context of AVCP system 3 and CE marking under Regulation 305/2011/EU of the European Parliament and of the Council of 9 March 2011 (the Construction Products Regulation or CPR).

The test laboratory has, therefore, played no part in sampling the product for the test, although it holds appropriate references, supplied by the manufacturer, to provide for traceability of the samples tested.

SIGNED

APPROVED

 Igor Dyakov, Test Executive.	 Hervé Breulet, Head of Accidental Risks Department
--	---