



TDS12150

SIRIUS ceiling motion sensor with STAR LIGHT

SIRIUS is a PIR motion sensor with built-in light sensor and 'STAR LIGHT' LED. This ceiling motion sensor is used to control light circuits when motion is detected and the light level, measured by the internal light sensor, is below a preset level. SIRIUS is not only a light control device but, integrated with the TDS system, it becomes an important part of comfort-, safety- and energy management. SIRIUS is your energy manager who always keeps track of the comfort and safety of people in motion. Be it standing or sitting down. Built-in 'STAR LIGHT' is an LED which works as motion indicator and as night light if no area lights are active or when they are defect. High accuracy motion sensor with 192 detection zones; LED = 10 Lumen, 3000°K.

APPLICATION

SIRIUS is used to control lights in a hall, night hall, stair case area, storage room, bath room, entrance, etc ... SIRIUS is to be used in particular rooms/areas like an entrance, bath room, garage, hall, night hall, staircase areas, etc ... where people are only present for a limited period of time and in places like offices, class rooms, conference rooms, etc ... where a high number of lights is consuming a considerable level of energy.

In professional applications, SIRIUS is also the perfect sensor for CLC control in large areas like offices, conference- and class rooms. SIRIUS does sense the presence of a person or persons and can control the intensity of dimmable lights (for example a DALI dimmable light group). The CLC function has a target Lux level which is measured by SIRIUS. A large number of CLC settings is available in PROSOFT, including a walk-through function which is extra energy efficient.

CHARACTERISTICS

Colour

The housing of TDS12150WH is RAL9016 (traffic white). The TDS12150BL (black version) is in RAL90005 (jet black).

General

SIRIUS is very compact and can be installed in solid or hollow ceilings. The extremely sensitive PIR sensor contains 192 detection zones which can detect even slight motions. The circular opening angle is 99°.

The SIRIUS housing is extremely flat (1.3mm out of the ceiling) and can therefore be installed within a door-swing range. Even with maximum height doors coming close to the ceiling. In case of complete darkness the STAR LIGHT LED provides 1,2 Lux when installed on 2,5m from the floor. The lighted area is about 8m in diameter.

Important: the star light function is **not** to be considered as a replacement of 'emergency lighting' because the STAR LIGHT LED has a very limited light intensity and it has no power backup (may be important in case of a fire or other mains power failure).

Conformity

Directive EMC: 2014/30/EU
Directive RoHS II: 2011/65/EU
Directive WEEE: 2012/19/EU



SETTINGS

Configuration

PROSOFT Suite (V3.8.4 or higher).

AUTOBUS address

With two rotary switches 'tens' and 'units'.

Installation

For indoor use only.

Can be built-in in hollow and solid ceilings. You need a minimum depth of 35mm and additional depth for the AUTOBUS connector + 1x or 2x AUTOBUS cable. Advised total whole dept is 65mm or more.

On-ceiling mounting

Use ceiling fixture for SIRIUS TDS90460WH or TDS90460BL.

The housing of WH version is PU coated in RAL9016 and will not yellow over time. It can be field spraypainted in any colour. Please remove the functional elements (lenses) prior to painting. TELETASK is not responsible for any damage done to the product or it's functions due to repainting. Warranty may become void.

SUPPLY VOLTAGE

12V supplied by the AUTOBUS (minimum 9V). Can be checked in PROSOFT Diagnostics.

CONNECTIONS

AUTOBUS connector set is supplied with the sensor.

POWER CONSUMPTION

AUTOBUS

Max.25 mA with starlight ON (12 mA Standby)

DIMENSIONS

52W x 28H x 52D (mm)

NET | GROSS WEIGHT

0,023 kg | 0,058kg

PACKAGING CONTENT:

TDS12150 interface (WH or BL)
AUTOBUS connector set

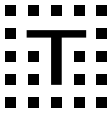
ENVIRONMENTAL CONDITIONS

Storage (with no condensation or icing)

Temperature: -20°C to +65°C max.
Relative humidity: 5% to 85% max.

Operation (with no condensation or icing)

Temperature: 0°C to +50°C max.
Relative humidity: 5% to 80% max.



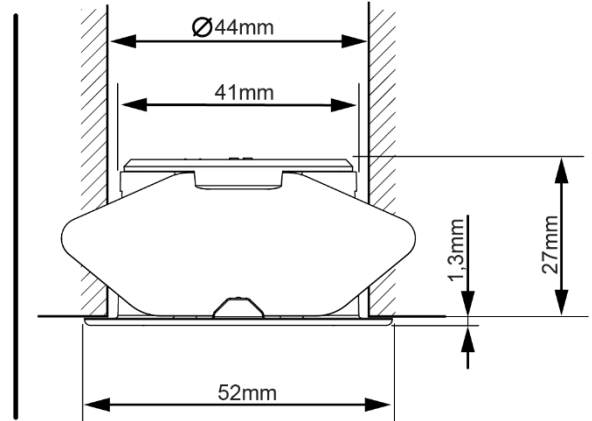
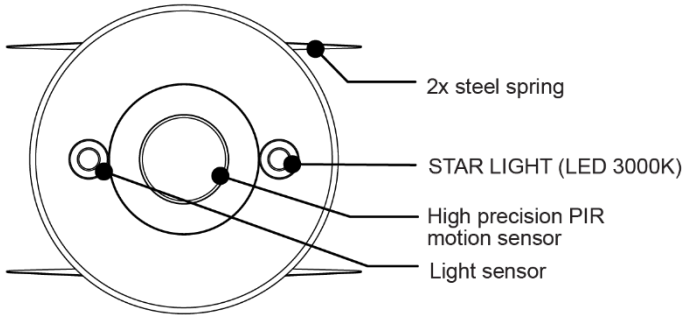
IP PROTECTION RATE

IP20

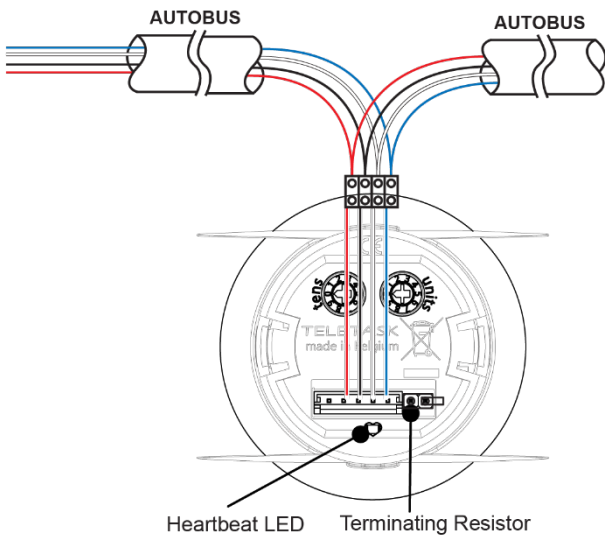
LIMITED WARRANTY

4 years

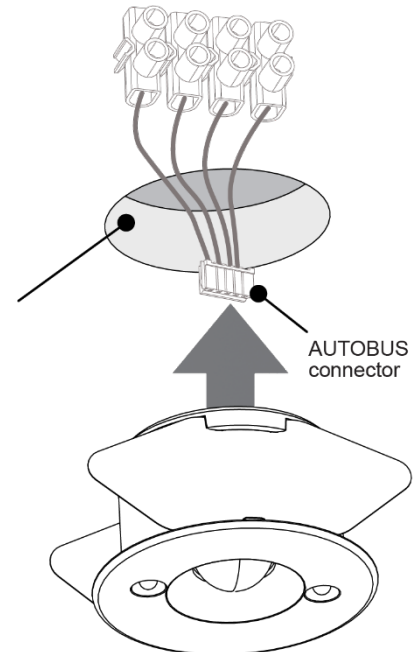
SCHEMATIC DRAWING

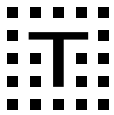


INSTALLATION

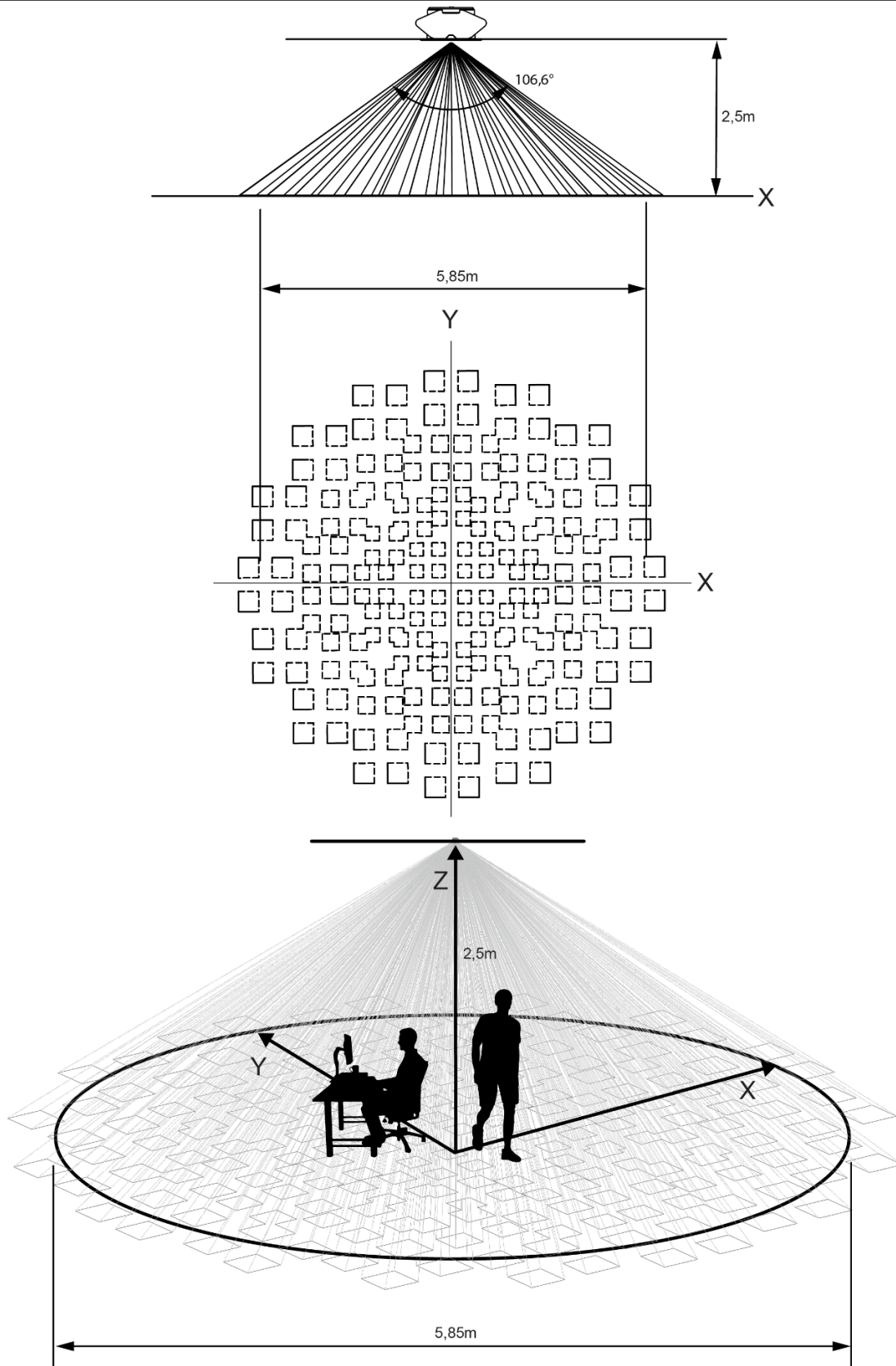


- Ø 44mm hole saw advised
- ⊥ 9mm thickness minimum for hollow ceiling
- ⤴ 35mm depth advised for hollow ceiling
- ⤴ 65mm depth advised for solid ceiling

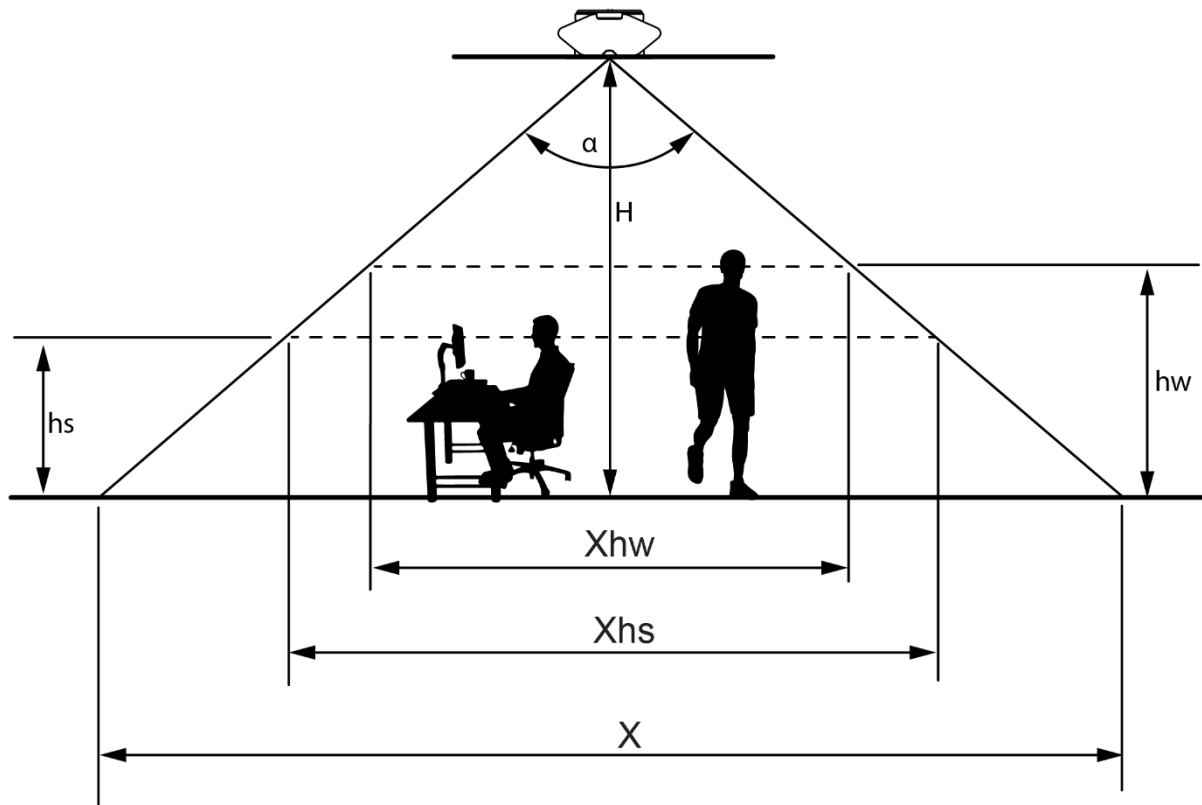
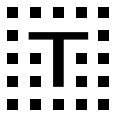




MOTION SENSOR DETECTION RANGE



Amount of detection zones = 192
Detection in X and Y directions
Detection in Z direction is uncertain



H	X	Xhw	Xhs
2,5m (8' 2")	5,85m (19' 2")	2,10m (6' 11")	2,92m (9' 7")
3m (9' 10")	7m (22' 12")	3,28m (10' 9")	4,10m (13' 5")
3,5m (11' 5")	8,2m (26' 11")	4,44m (14' 7")	5,26m (17' 3")
4m (13' 1")	9,36m (30' 8")	5,62m (18' 5")	6,42m (21' 1")

Temperature difference	Detection range	Target related conditions
8°C	Up To 3,5m (11' 5")	Movement speed: 0,5m/s Target dimensions 0,2m x 0,2m (10" x 10")
4°C	Up to 2,5m (8' 2")	
Note: Depending on the temperature difference between the target and the surroundings, detection range will change.		

Example: max installation height for a walking person of 1,6m height is 1,6m+3,5m = **5,1m**

Legend	
H	Distance from ceiling to floor
hw=1,6m (5' 3")	Distance from floor to the centre of the head of a walking person
hs=1,25m (4' 1")	Distance from the floor to the centre of the head of a sitting person
X	Detection diameter on the floor
Xhw	Detection diameter for a walking person
Xhs	Detection diameter of a sitting person
$\alpha = 99^\circ$	Actual detection angle (remark: detection zones start at 106,6°)